

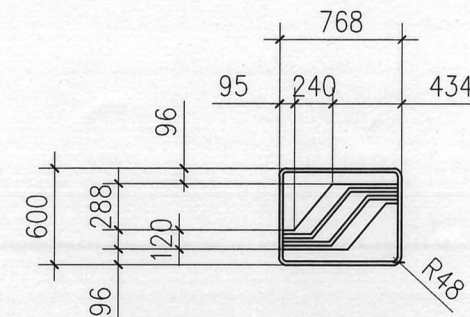
SOCIAL SECURITY SYSTEM

BUILT-UP ACRYLIC LETTERS - (COLOR = WHITE)
 (FONT = ERAS DEMI ITC) (SIZE = 300)
 w/ LED LIGHT BACKLIGHTING

WELCOME BRANCH

BUILT-UP ACRYLIC LETTERS - (COLOR = WHITE)
 (FONT = ERAS DEMI ITC) (SIZE = 100)
 w/ LED LIGHT BACKLIGHTING

SIGNAGE TEXT DETAILS



BUILT-UP ACRYLIC LOGO
 (COLOR = WHITE)
 w/ LED LIGHT BACKLIGHTING
 LOGO DETAILS

OUTDOOR HORIZONTAL SIGNAGE (SINGLE FACE)

1
 A-01 SCALE 1:45M



PROJECT TITLE:
 SUPPLY, DELIVERY AND INSTALLATION OF OUTDOOR
 HORIZONTAL SIGNAGE AT SSS WELCOME BRANCH
 LOCATION: España Tower Condominium, España Blvd., cor. Josefina St.,
 Brgy. 512, Sampaloc, Manila

RECOMMENDING APPROVAL:

 CLARK Q. ESPERO
 ACTING CEO IV - FMS II

APPROVED BY:

 GILBERT N. MAGALIT
 DM III - EFMD

APPROVED AS USER/OWNER:

 DOLORA Q. HOJILLA
 Acting Head
 SSS Welcome Branch

NCR TEAM
 DESIGNED & DRAWN BY:
 Joeryl J. Trinidad- Jr. Engineer
 REVIEWED & CHECKED BY:
 Fernando M. Pasco - Acting Head

SHEET CONTENT:
 OUTDOOR HORIZONTAL
 SIGNAGE

ALL DRAWINGS MUST BE
 VERIFIED ON SITE BY THE
 CONTRACTOR.
 ALL DISCREPANCIES SHOULD
 BE REPORTED IMMEDIATELY
 TO THE ARCHITECT AND
 PROJECT MANAGERS.
 CONTRACTORS ARE TO
 PREPARE AND SUBMIT SHOP
 DRAWINGS TO THE
 ARCHITECT PRIOR TO
 COMMENCEMENT OF WORKS.
 SHEET NO.
 A-01
 DATE:
 MAR. 22, 2023