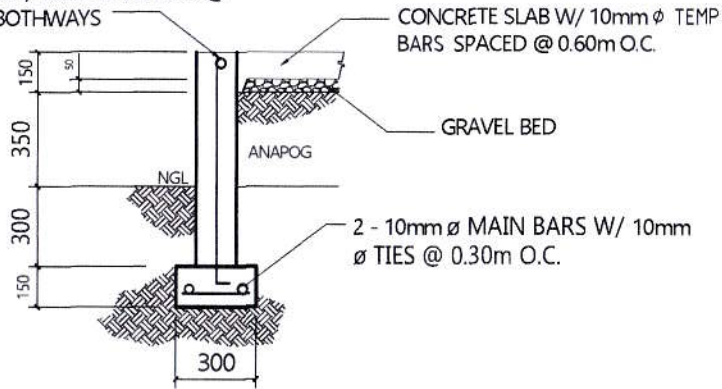
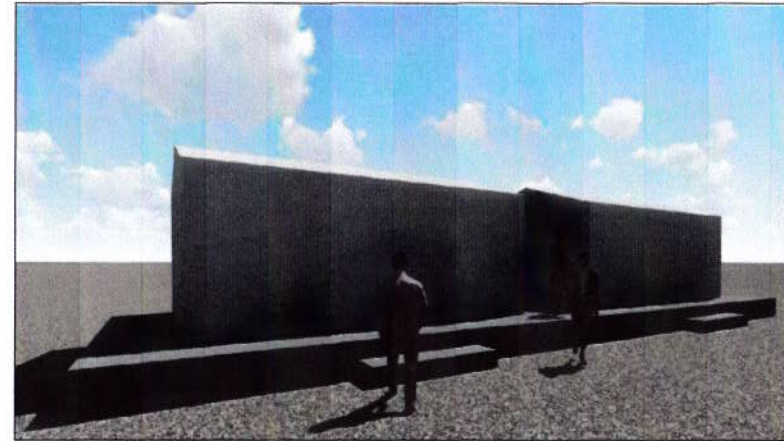


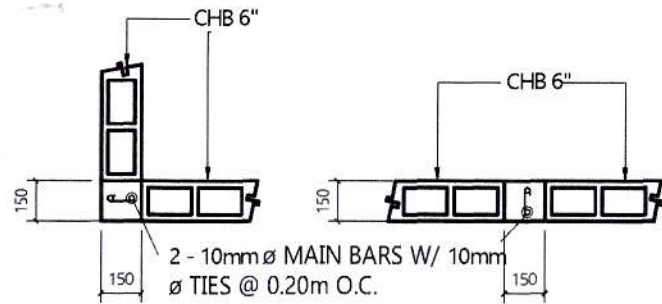
6" THK. CHB W/ 10mm ϕ SPACED @ 0.60m O.C. BOTHWAYS



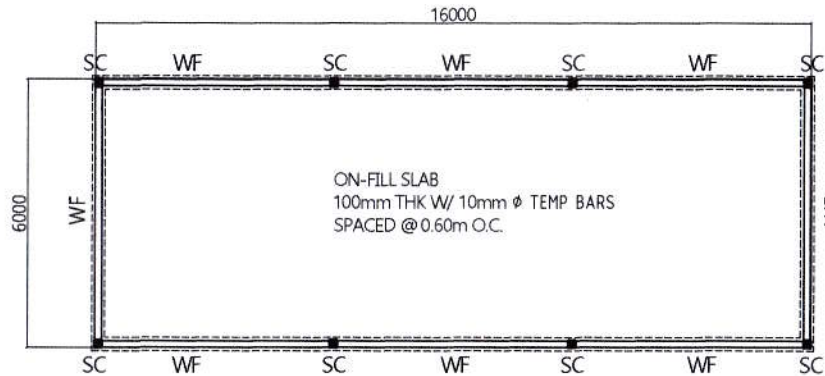
WF DETAIL



PERSPECTIVE



TYPICAL STIFFENER COLUMN DETAIL



FOUNDATION PLAN

LEGEND:

WF - WALL FOOTING
SC - STIFFENER COLUMN

Prepared by:

Engr. FROILAN E. AUTIDA
Building Administrator
SSS - VC 1 Division

Project Title:

CONSTRUCTION OF CONCRETE PLATFORM

Location: SSS CEBU BRANCH, OSMENA BLVD., CEBU CITY

Approved By:

ERIC A. CORONADO
Branch Head III
SSS CEBU BRANCH

Sheet No.:

S
1

Date: 06/20/22