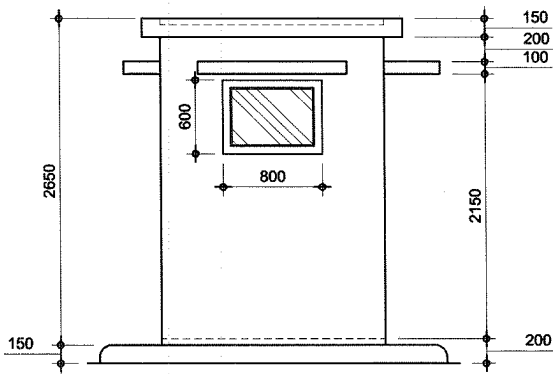
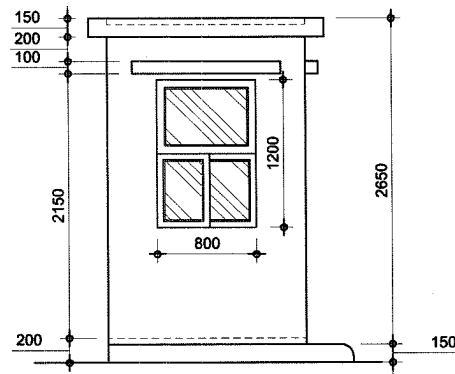


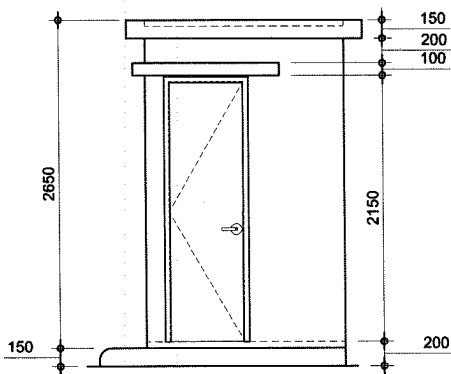
1
 GUARDHOUSE  
**EXISTING PLAN**  
 SCALE 1:30 MTS



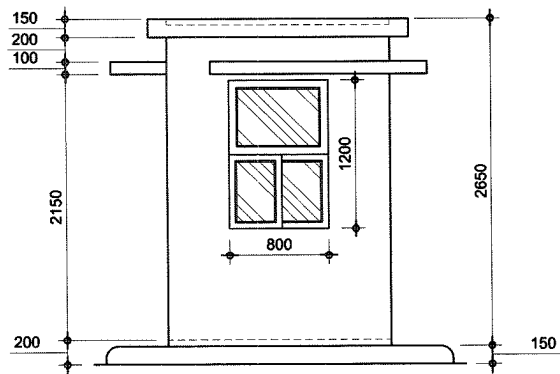
**FRONT ELEVATION**



**RIGHT SIDE ELEVATION**

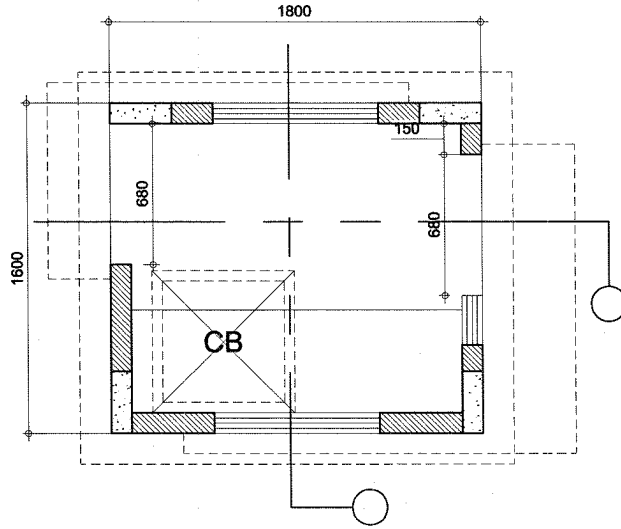


**LEFT SIDE ELEVATION**

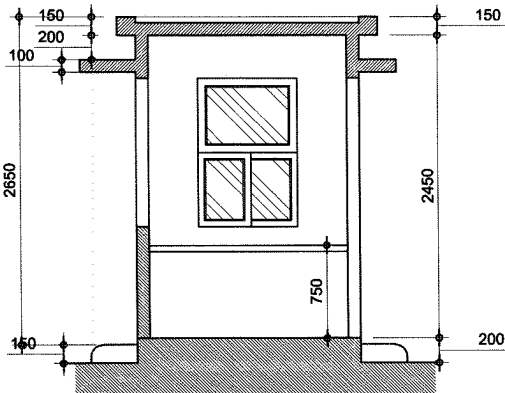


**REAR ELEVATION**

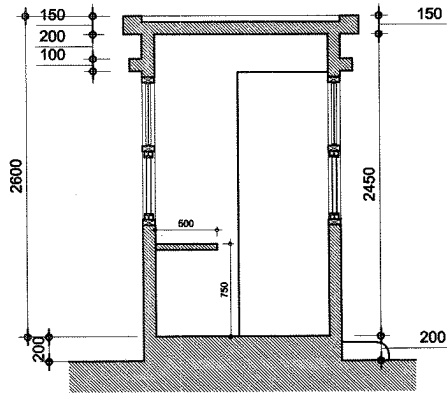
2
 GUARDHOUSE  
**EXISTING ELEVATION**  
 SCALE 1:30 MTS



3  
 GUARDHOUSE  
**PROPOSED PLAN**  
 SCALE 1:30 MTS

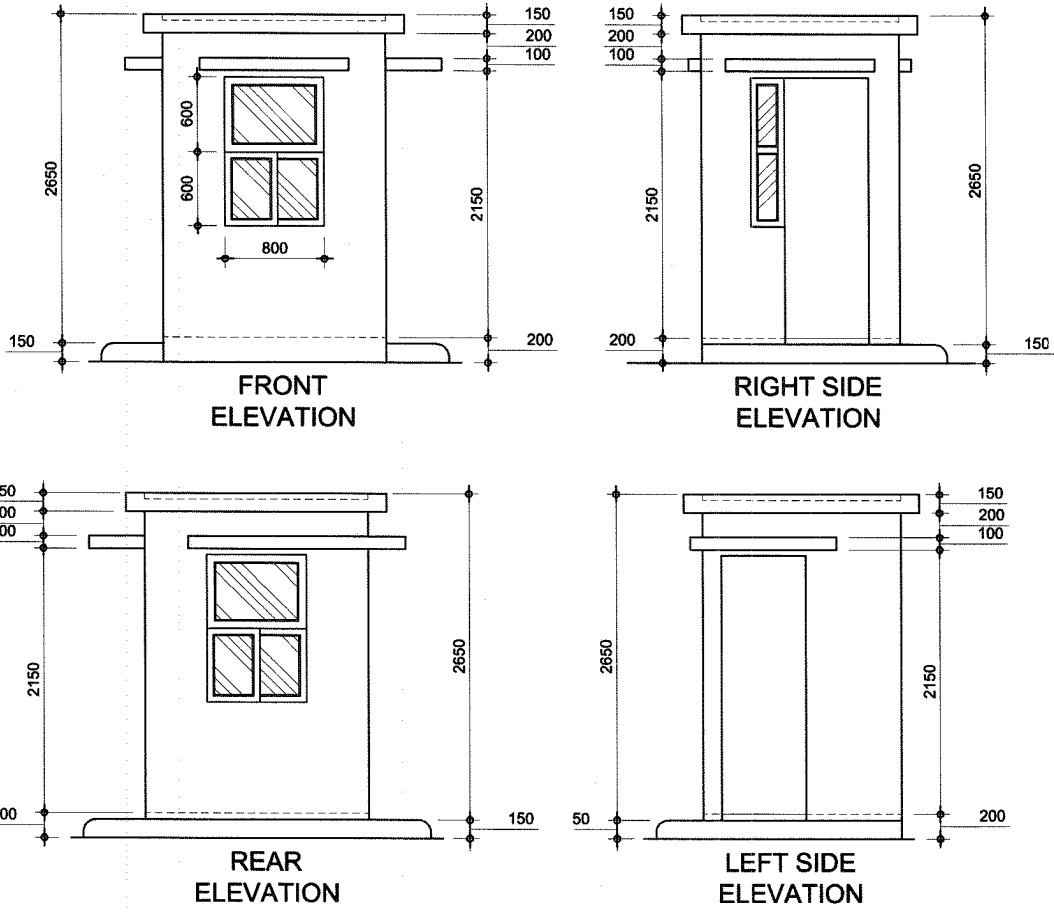


SECTION A



SECTION B

4  
 GUARDHOUSE  
**PROPOSED SECTION**  
 SCALE 1:30 MTS



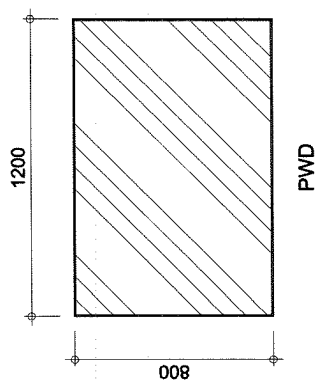
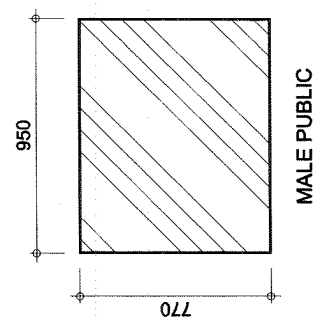
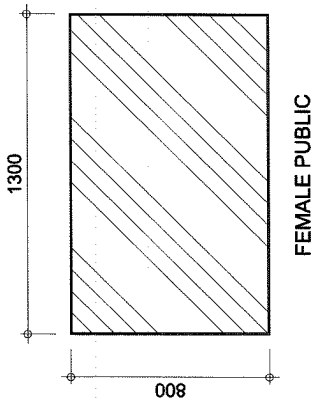
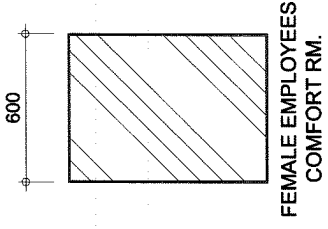
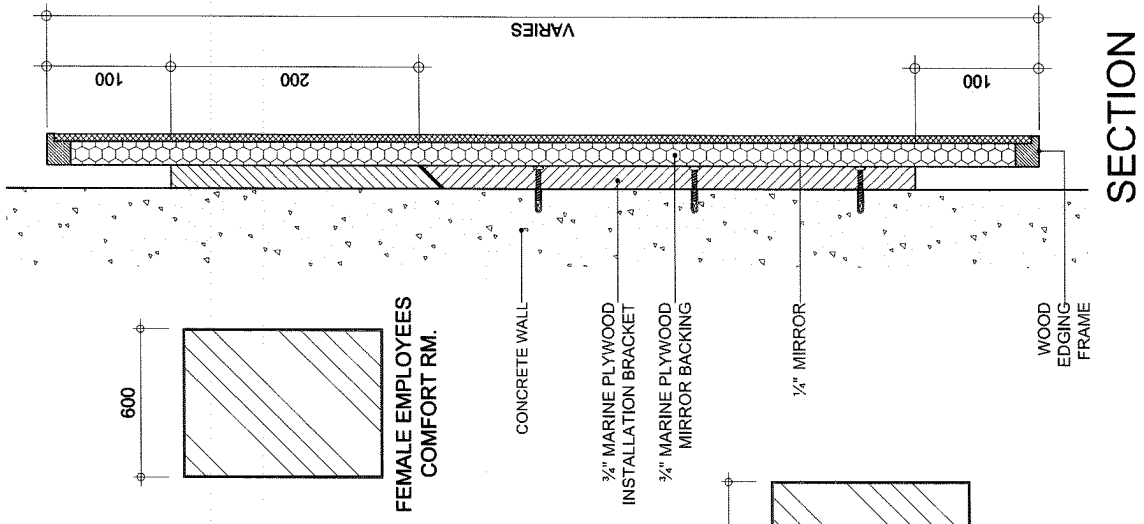
5
 GUARDHOUSE  
**PROPOSED ELEVATION**  
 SCALE 1:30 MTS

<table border="1" style="width: 100%; border-collapse: collapse;"> <tr> <td style="width: 20px; text-align: center; vertical-align: middle;"><span style="border: 1px solid black; border-radius: 50%; padding: 1px;">W 01</span></td> <td>DESIGNATION: WINDOW 01</td> </tr> <tr> <td></td> <td>DESCRIPTION: 6mm THK. CLEAR GLASS IN ALUMINUM POWDER COATED WHITE FRAME</td> </tr> <tr> <td></td> <td></td> </tr> <tr> <td style="text-align: center;">1 SET REQ'D</td> <td></td> </tr> <tr> <td></td> <td>LOCATION: GUARD HOUSE (USE EXISTING MATERIALS)</td> </tr> </table>	<span style="border: 1px solid black; border-radius: 50%; padding: 1px;">W 01</span>	DESIGNATION: WINDOW 01		DESCRIPTION: 6mm THK. CLEAR GLASS IN ALUMINUM POWDER COATED WHITE FRAME			1 SET REQ'D			LOCATION: GUARD HOUSE (USE EXISTING MATERIALS)	<table border="1" style="width: 100%; border-collapse: collapse;"> <tr> <td style="width: 20px; text-align: center; vertical-align: middle;"><span style="border: 1px solid black; border-radius: 50%; padding: 1px;">W 01</span></td> <td>DESIGNATION: WINDOW 01</td> </tr> <tr> <td></td> <td>DESCRIPTION: 6mm THK. CLEAR GLASS IN ALUMINUM POWDER COATED WHITE FRAME</td> </tr> <tr> <td></td> <td></td> </tr> <tr> <td style="text-align: center;">1 SET REQ'D</td> <td></td> </tr> <tr> <td></td> <td>LOCATION: GUARD HOUSE (USE EXISTING MATERIALS)</td> </tr> </table>	<span style="border: 1px solid black; border-radius: 50%; padding: 1px;">W 01</span>	DESIGNATION: WINDOW 01		DESCRIPTION: 6mm THK. CLEAR GLASS IN ALUMINUM POWDER COATED WHITE FRAME			1 SET REQ'D			LOCATION: GUARD HOUSE (USE EXISTING MATERIALS)
<span style="border: 1px solid black; border-radius: 50%; padding: 1px;">W 01</span>	DESIGNATION: WINDOW 01																				
	DESCRIPTION: 6mm THK. CLEAR GLASS IN ALUMINUM POWDER COATED WHITE FRAME																				
1 SET REQ'D																					
	LOCATION: GUARD HOUSE (USE EXISTING MATERIALS)																				
<span style="border: 1px solid black; border-radius: 50%; padding: 1px;">W 01</span>	DESIGNATION: WINDOW 01																				
	DESCRIPTION: 6mm THK. CLEAR GLASS IN ALUMINUM POWDER COATED WHITE FRAME																				
1 SET REQ'D																					
	LOCATION: GUARD HOUSE (USE EXISTING MATERIALS)																				

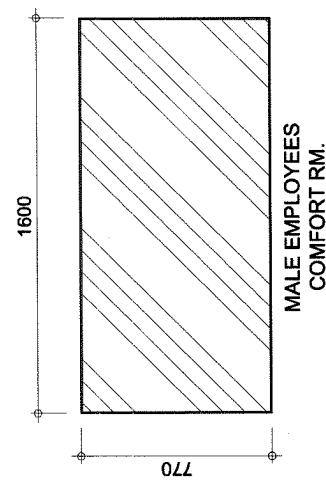
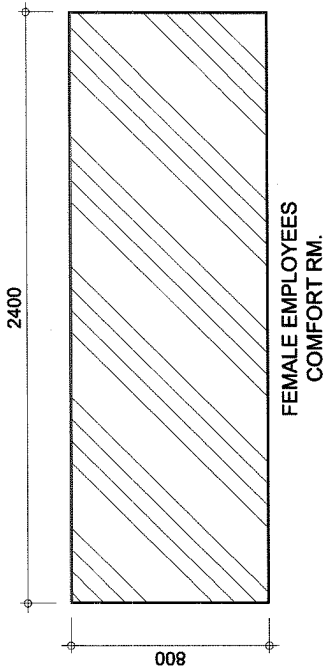
SCHEDULE OF WINDOW

SCHEDULE OF WINDOW

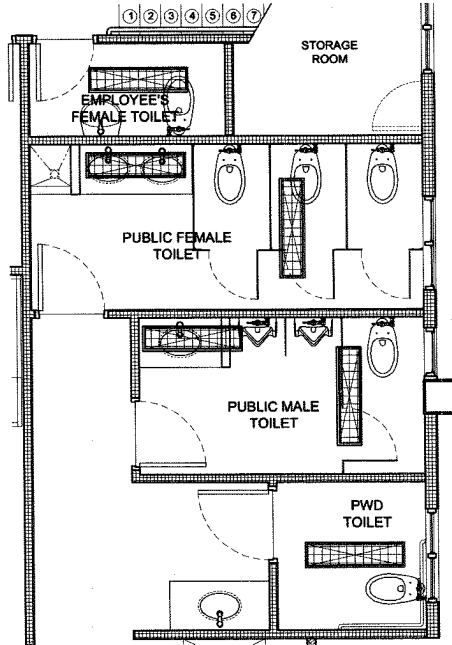
6
 GUARDHOUSE  
**SCHEDULE OF WINDOWS**  
 SCALE 1:50 MTS



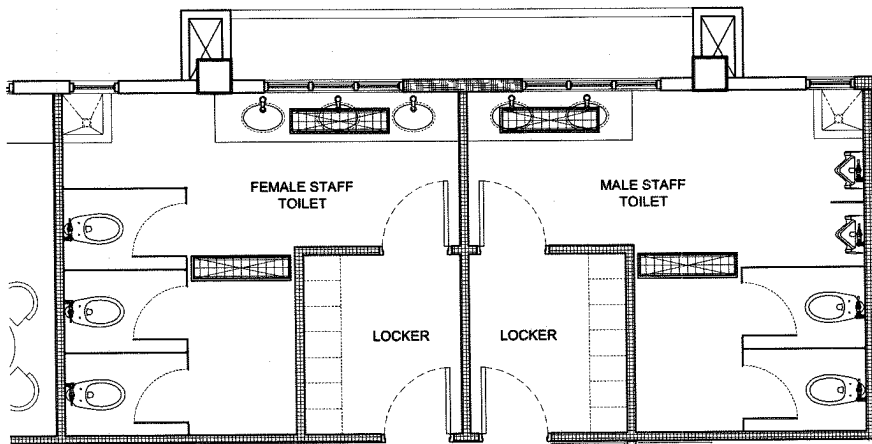
GROUND FLOOR  
**COMFORT ROOM VANITY MIRROR**  
 SCALE 1:25 MTS  
 7



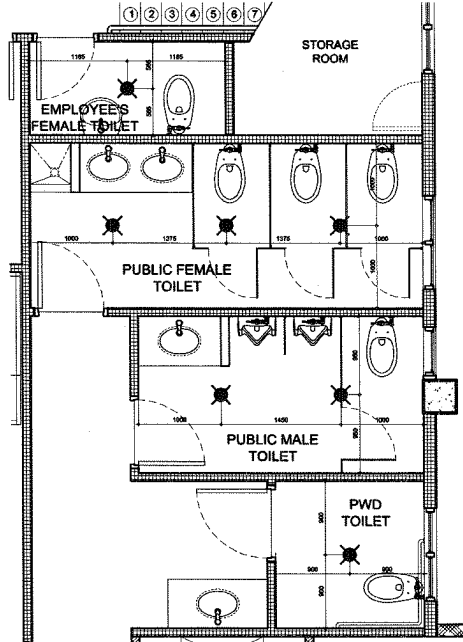
SECOND FLOOR  
**COMFORT ROOM VANITY MIRROR**  
 SCALE 1:25 MTS  
 8



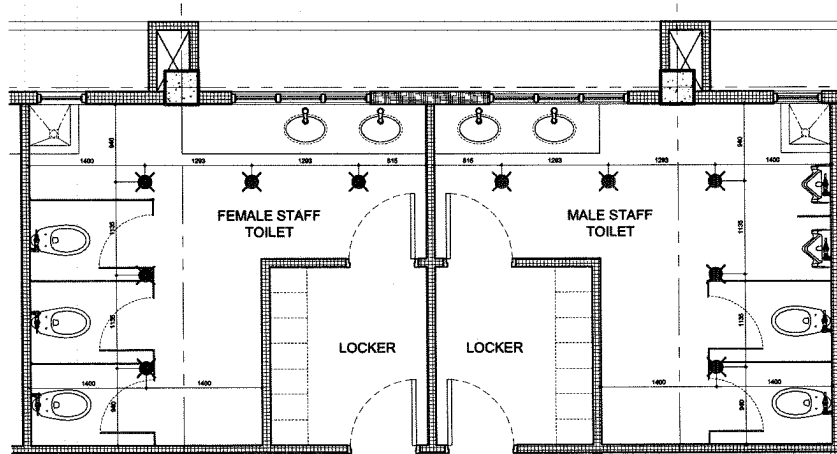
9  
 GROUND FLOOR COMFORT ROOM  
**EXISTING LIGHTINGS LOCATION**  
 SCALE 1:75 MTS



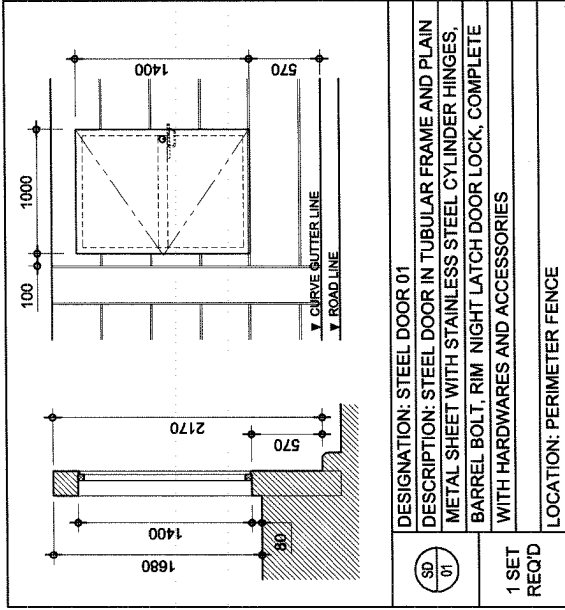
10  
 SECOND FLOOR COMFORT ROOM  
**EXISTING LIGHTINGS LOCATION**  
 SCALE 1:75 MTS



11  
 GROUND FLOOR COMFORT ROOM  
**PROPOSED PINLIGHTS LOCATION**  
 SCALE 1:75 MTS



12  
 SECOND FLOOR COMFORT ROOM  
**PROPOSED PINLIGHTS LOCATION**  
 SCALE 1:75 MTS



STEEL GATE DOOR  
**14** SCHEDULE OF DOOR  
 SCALE 1:50 MTS

